

INSTRUCTIONS FOR INSTALLATION

BOBRICK MODELS B-839 AND B-8397 FACIAL TISSUE DISPENSERS

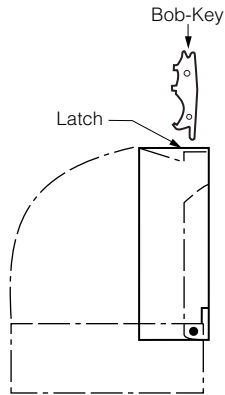


FIGURE 1

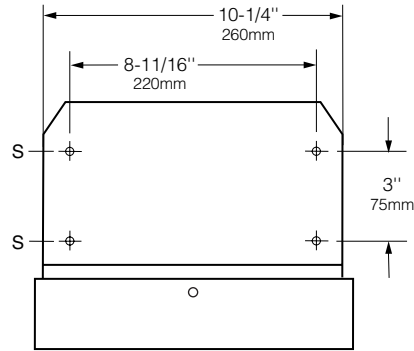


FIGURE 2

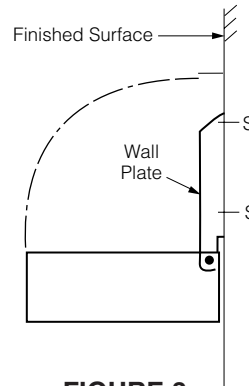


FIGURE 3

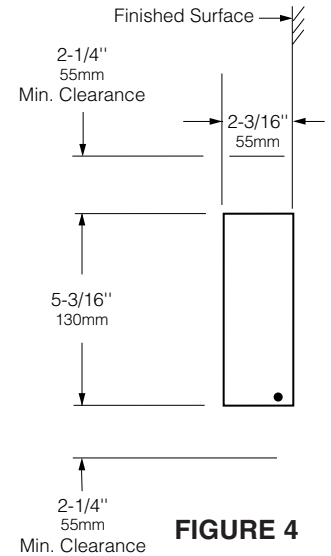


FIGURE 4

Designer's Note: Furnish mounting location with minimum 2-1/4" (55mm) clearance above unit to provide access to lock and 2-1/4" (55mm) clearance below unit to allow tissue dispenser cover to swing down for refilling. See Figure 4.

1. Insert BobKey into hole on top of tissue dispenser cover. Push in to release latch that locks cover to hinged mounting plate. See Figure 1.
2. Use mounting plate as a template to locate holes for mounting screws. See Figure 2.
3. Four (4) #8 x 1-1/4" (4.5x32mm) sheet-metal screws are recommended; however, the surface on which the facial tissue dispenser is to be mounted determines the type of fasteners required for a secure installation.

For plaster or dry wall construction, provide concealed backing to comply with local building codes, then secure unit with sheet-metal screws. For other wall surfaces, provide fiber plugs or expansion shields for use with sheet-metal screws, or provide 1/8" (3mm) toggle bolts or expansion bolts.

For partitions or countertop aprons with particle-board or other solid core, secure with sheet-metal screws or provide through-bolts, nuts, and washers. For hollow-core metal partitions, provide solid backing into which sheet-metal screws can be secured.

4. To attach facial tissue dispenser, install unit with screws at points indicated by an S. Tighten screws securely.

